

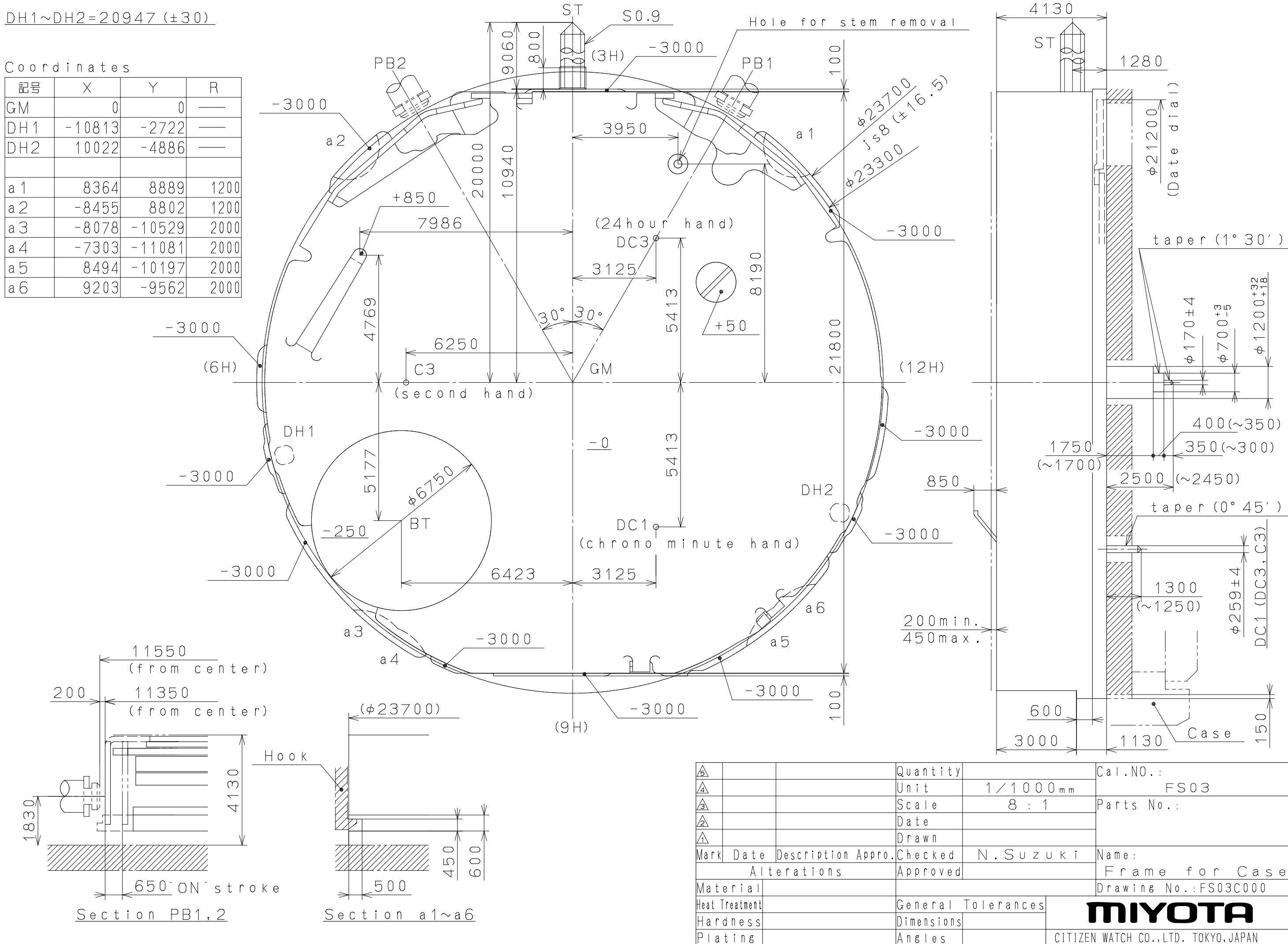
2007/12/21 (17:04:46)

This drawing is provisional and subject to our reconfirmation and/or revision without notice.

DH1~DH2=20947 (±30)

Coordinates

記号	X	Y	R
GM	0	0	—
DH1	-10813	-2722	—
DH2	10022	-4886	—
a1	8364	8889	1200
a2	-8455	8802	1200
a3	-8078	-10529	2000
a4	-7303	-11081	2000
a5	8494	-10197	2000
a6	9203	-9562	2000

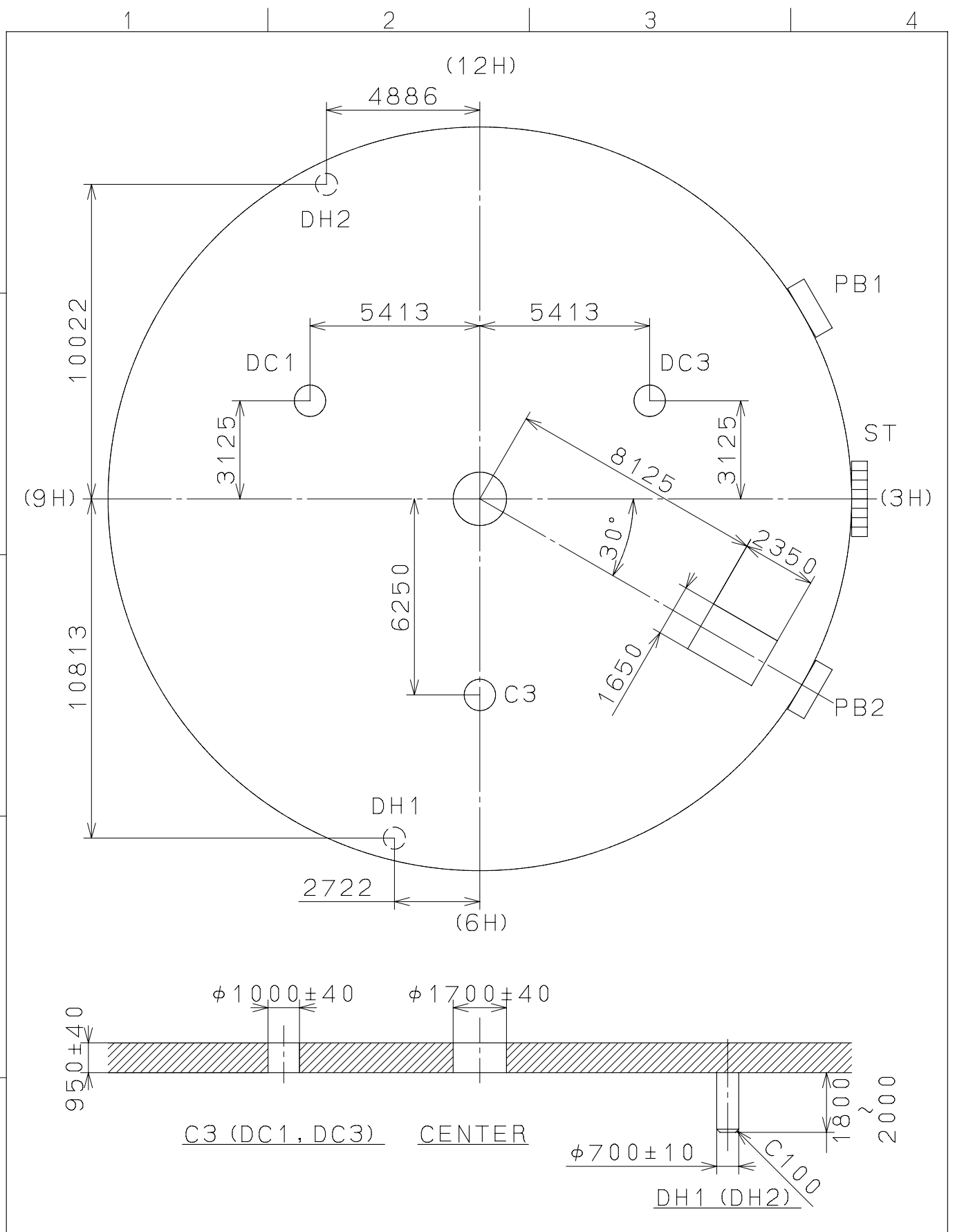


△5		Quantity		Cal. NO.:	
△4		Unit	1/1000mm		FS03
△3		Scale	8 : 1	Parts No.:	
△2		Date			
△1		Drawn			
Mark	Date	Description	Appr.	Checked	N. Suzuki
Alterations				Approved	Name:
				Frame for Case	
				Drawing No.: FS03C000	
Material				General Tolerances	
Heat Treatment				Dimensions	
Hardness				Angles	
Plating				CITIZEN WATCH CO., LTD. TOKYO, JAPAN	

**MIYOTA**

2007/12/21 (17:06:44)

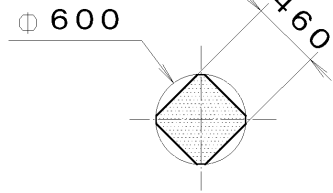
This drawing is provisional and subject to our reconfirmation and/or revision without notice.



△			Quantity		Cal.NO.:
△			Unit	1/1000 <sub>mm</sub>	FS03-00A
△			Scale	6:1	Parts No.:
△			Date		
△			Drawn		
Mark	Date	Description	Appr.	Checked	Name:
		Alterations		Approved	Indications for Dial
Material					Drawing No.: FS03D000
Heat Treatment			General Tolerances		<b>MIYOTA</b>
Hardness			Dimensions		
Plating			Angles		
					CITIZEN WATCH CO., LTD. TOKYO, JAPAN

This drawing is provisional and subject to our reconfirmation and/or revision without notice.

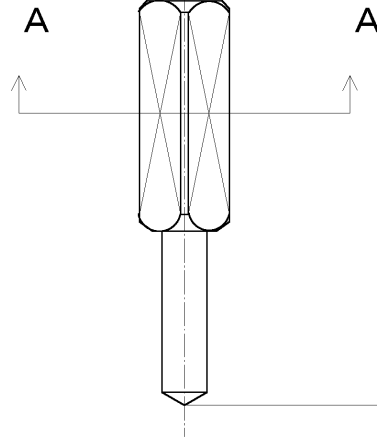
\*\*\* T I P W 065-549 (01) \*\*\* (2100 1121) 01-12-07



Section A-A

S0. 9, P=0. 225mm

⌀ 1000



<table border="1"> <tr><td>7</td><td></td></tr> <tr><td>6</td><td></td></tr> <tr><td>5</td><td></td></tr> <tr><td>4</td><td></td></tr> <tr><td>3</td><td></td></tr> <tr><td>2</td><td></td></tr> <tr><td>1</td><td></td></tr> </table>		7		6		5		4		3		2		1		Quantity		Cal. No. :	
7																			
6																			
5																			
4																			
3																			
2																			
1																			
		Unit	1/1000 mm	Parts:	065-549														
		Scale	20:1																
		Date		Name:	SETTING STEM														
		Drawn																	
		Checked	T. Hiruta	Drawing No. : 5490S000															
		Approved																	
Material																			
Heat Treatment		General Tolerances		<b>CITIZEN</b> WATCH CO., LTD. TOKYO, JAPAN															
Hardness		Dimensions																	
Plating		Angles																	